



Film Capacitors for Automotive

General



1. Apply to

- Hybrid electric car (HEV)
- Electric car (EV)
- Plug in hybrid electric car (PHEV)
- Fuel cell electric car (FCEV)

2. Applications

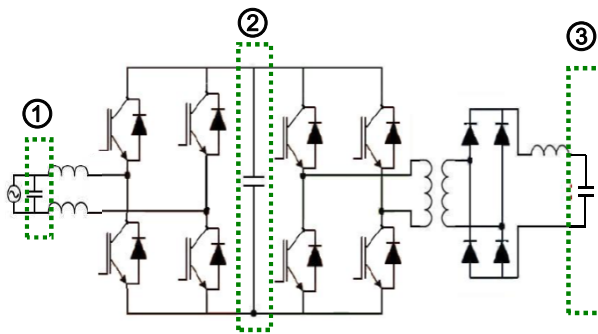
- OBC circuit for EV & PHEV
- LDC circuit for all

3. AEC-Q200 qualified

Circuit diagram

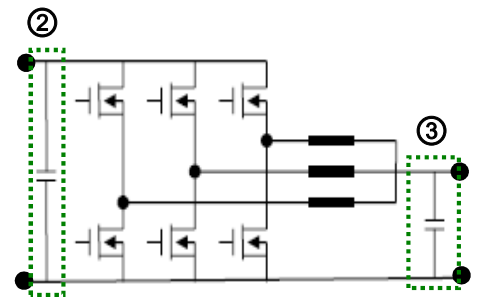
1. Battery charger system & inverter

- On board and off board assembly (OBC)



2. Battery charger system

- Low dc-dc converter (LDC)



Reference data

Part	Role	Product	Quick reference data			
			Die.	Climatic category	Voltage [V]	Cap. Range [uF]
①	Filter cap. - EMI protection X&Y	P347	PET	55/110/56	310V~	0.1~2.2
		P130	PP	55/105/21	300V~	0.001~0.47
②	DC-link cap. - Energy storage Input cap. - To withstand over-voltage - High dc filtering	P225	PP	40/105/56	250~850	1~10
③	Out put cap. - To withstand over-voltage - Low dc filtering (14V)	PCPW 223	PET	40/105/21	35	4.7~22
etc.	Snubber cap.	P384	PP	55/105/56	250~2500	0.00022~1