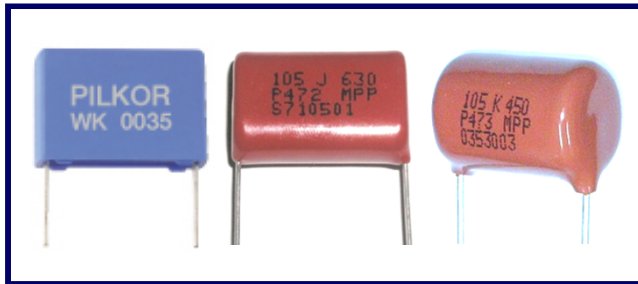




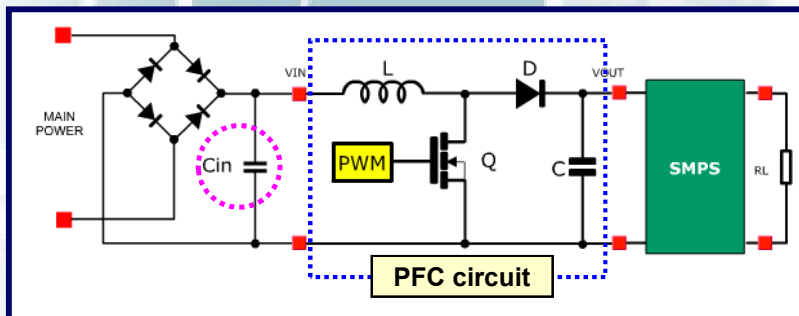
# PFC INPUT CAPACITORS

PFC Input capacitors



- PCMP 372 series (Boxed type)
- PCMP 472 series (Dipped type)
- PCMP 473 series (Round type)
- PCMP 352 series (Miniature type of PCMP 372)
- PCMP 392 series (Miniature type of PCMP 472)

## CIRCUIT DIAGRAM



## FEATURES

- ❖ Low noise & Miniature
- ❖ Self-healing properties

## APPLICATION

- ❖ PFC input capacitor for LCD / PDP power
- ❖ Suitable for absorbing noise of active filter

QUICK REFERENCE DATA	PCMP 372/472 series	PCMT 352/392 series
Dielectric	Metallized polypropylene	Metallized polypropylene
Capacitance range	0.022 to 2.2uF	0.22 to 1.0uF
Capacitance tolerance	5% / 10%	5% / 10%
Lead spacing	10.0 / 15.0 / 22.5 / 27.5mm	10.0 / 15.0mm
Rated voltage range	450 / 500 / 550 / 630Vdc	450Vdc
Temperature range	-40°C ~ +105°C	-40°C ~ +105°C
Pulse Rise Time (dV/dt)	55 to 270 V/μs	47.5 V/μs
Dimension of 450Vdc, 1uF (bxhxl)	8.5 x 15.0 x 18.0 [mm]	7.0 x 13.5 x 18.0 [mm]
Reference	IEC 60384-16	IEC 60384-16
Potting & Encapsulation material	Qualified in accordance with UL94V-0	